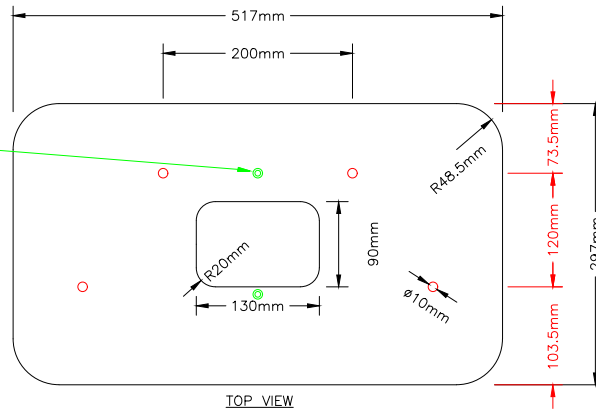
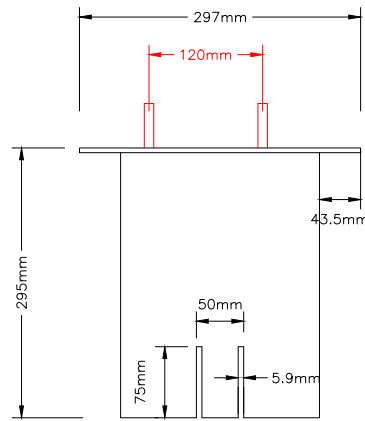


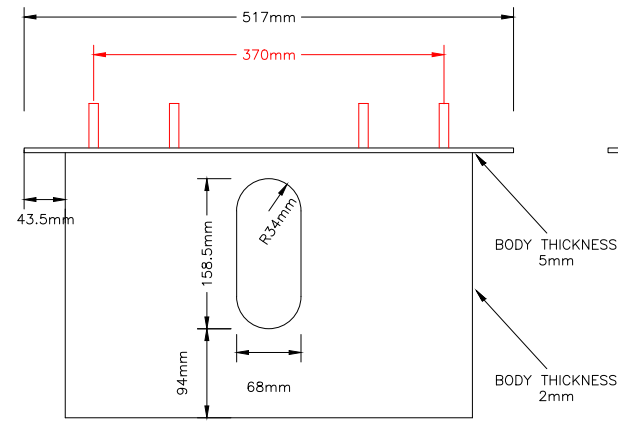
2x M6x
10mm PRESSED
(FROM TOP) STUDS



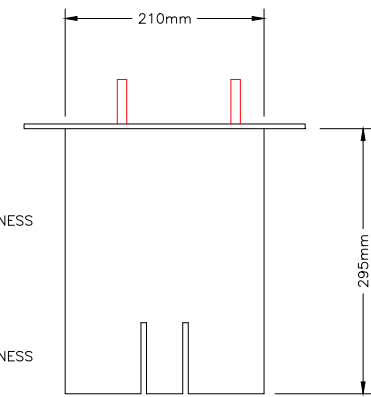
TOP VIEW



LEFT SIDE VIEW

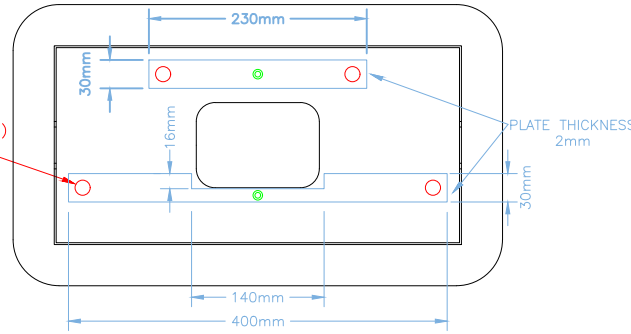


FRONT VIEW




RIGHT VIEW

4x M10x
50mm PRESSED
(FROM UNDERNEATH)
STUDS



ULTRACHARGE 40/80
GALVANISED MOUNTING BASE
CODE: GMUC4080

REVISION DETAILS:	REV:	DATE:	PROJECT:	DWG NO: GMUC4080	REVISION: A
			CLIENT:	DRAWN: KT	DATE: 06/05/2025
			TITLE: ULTRACHARGE 40/80 GALVANISED STEEL GROUND MOUNTING BASE	SCALE: NTS	SIZE: A4
			 RALPHE LANE, FRAMPTON WEST, BOSTON, LINCOLNSHIRE, ENGLAND, PE20 1QU WWW.ROLECSERV.COM T: +44 (0)1205 724754		