

Sitio 110V Anti-Corrosive LED IP65 Battens

Site Light Series by KSR



Data Sheet

Product Information

The new **Site Light Series** by KSR is **110V** specialised site Lighting which are ideal for domestic, commercial or industrial applications. Designed to work with **110V** transformers, **this Anti Corrosive** batten range is available in 2ft, 4ft or 5ft as **standard** or available c/w **1 metre cable and IP rated Junction box** both versions are also available with 3 Hour **Emergency** back-up. They have a **High IK08 rating** and are supplied with **304 Stainless Steel clips**. There is also an IP44 Rated 'Plasterers' **A-Frame** with 2 x 110V Power Outlets & an IP44 Rated height adjustable **Tripod** with 2 x 110V Power Outlets both with 5M cable and plug & designed for the 110V 2ft Anti Corrosive Battens only.

Product Features

- 3-year warranty
- 110V Supply Only
- IP65/IP44*
- IK08
- Class I
- 4000K LED
- Up to 6525 Lumens
- CRI: Ra80
- Range of sizes, Single & Twin Versions - 2ft, 4ft & 5ft and Wattages 19W – 50W
- 120° beam angle
- Available c/w 1 Metre Cable & Junction Box
- Emergency Versions Available
- Beza-box mountable via brackets
- Mounting Frames (KSR5407 & KSR5408) with 110V Sockets for the 2ft Versions Available
- L70 – 40,000hrs

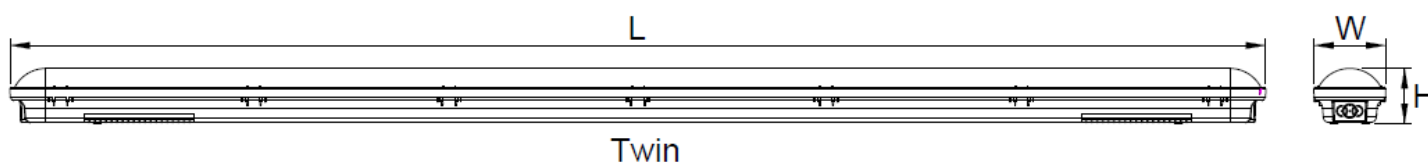
Product Specification

Product Code	Product Description	Wattage (W)	CCT (K)	Lumens (lm)	CRI (Ra)	Protection Class
KSR5400	Sitio 2ft 19W 4K LED 110V IP65 Anti Corrosive	19W	4000K	2475lm	>80	I
KSR5400/EM	Sitio 2ft 19W 4K LED 110V IP65 Emergency Anti Corrosive	19W	4000K	2475lm	>80	I
				EM Mode - 311lm		
KSR5402	Sitio 4ft 19W 4K LED 110V IP65 Anti Corrosive	19W	4000K	2480lm	>80	I
KSR5402/EM	Sitio 4ft 19W 4K LED 110V IP65 Emergency Anti Corrosive	19W	4000K	2480lm	>80	I
				EM Mode - 330lm		
KSR5403	Sitio 5ft Single 24W 4K LED 110V IP65 Anti Corrosive	24W	4000K	3145lm	>80	I
KSR5403/EM	Sitio 5ft Single 24W 4K LED 110V IP65 Emergency Anti Corrosive	24W	4000K	3145lm	>80	I
				EM Mode - 326lm		
KSR5404	Sitio 5ft Twin 50W 4K LED 110V IP65 Anti Corrosive	50W	4000K	6525lm	>80	I
KSR5404/EM	Sitio 5ft Twin 50W 4K LED 110V IP65 Emergency Anti Corrosive	50W	4000K	6525lm	>80	I
				EM Mode - 319lm		
KSR5405	Sitio 2ft 19W 4K LED 110V IP65 Anti Corrosive c/w 1M Cable & Junction Box	19W	4000K	2475lm	>80	I
KSR5405/EM	Sitio 2ft 19W 4K LED 110V IP65 Emergency Anti Corrosive c/w 1M Cable & Junction Box	19W	4000K	2475lm	>80	I
				EM Mode - 311lm		
KSR5406	Sitio 5ft Twin 50W 4K LED 110V IP65 Anti Corrosive c/w 1M Cable & Junction Box	50W	4000K	6525lm	>80	I
KSR5406/EM	Sitio 5ft Twin 50W 4K LED 110V IP65 Emergency Anti Corrosive c/w 1M Cable & Junction Box	50W	4000K	6525lm	>80	I
				EM Mode - 319lm		
Mounting Frame Accessories with Power Outlets for 2ft Versions Only KSR5400, KSR5400/EM, KSR5405 & KSR5405/EM						
KSR5407	Sitio Tripod for 2ft Anti Corrosive c/w 2 x 110V Sockets + 5M Cable & Plug (Height Adjustable)*					
KSR5408	Sitio A-Frame for 2ft Anti Corrosive c/w 2 x 110V Sockets + 5M Cable & Plug*					

Construction

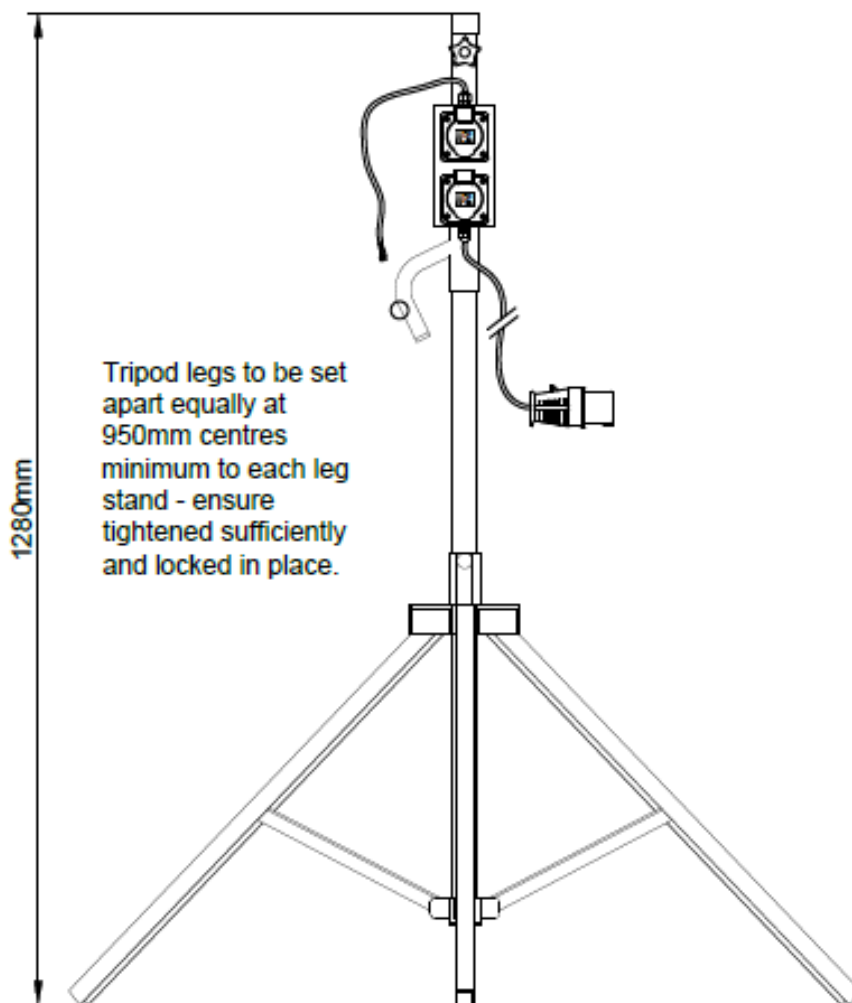
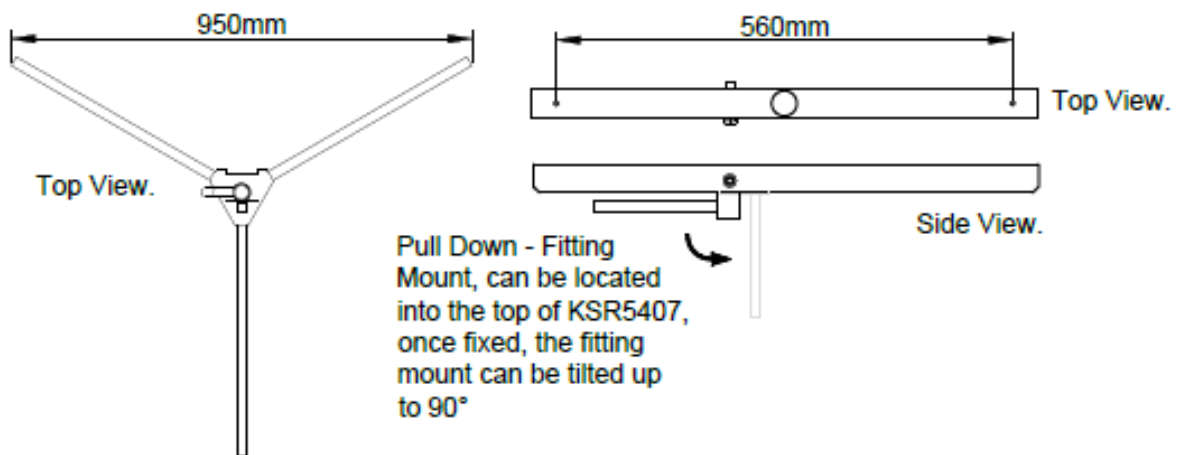
Body: Polycarbonate
 Diffuser: Polycarbonate
 Clips: 304 Stainless Steel

Product Dimensions

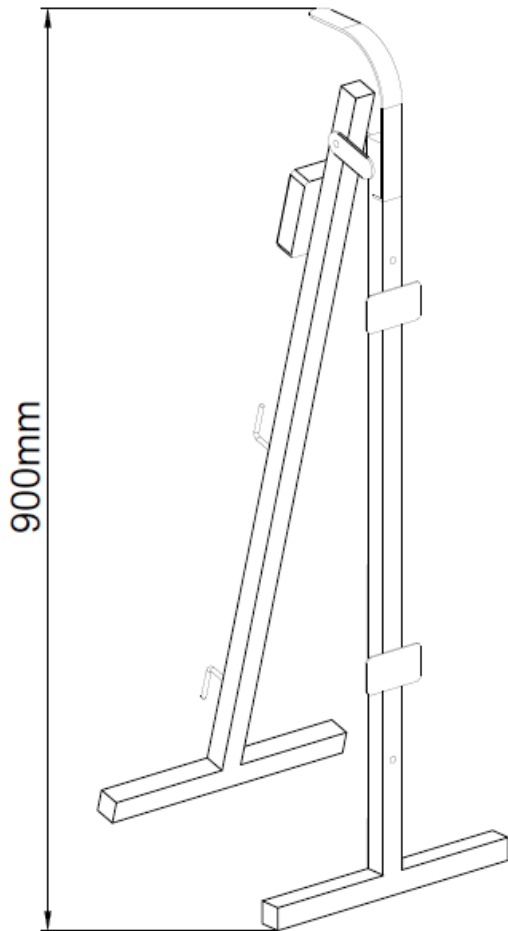


Product Code	Description	Dimensions L x W x H	Wattage	Colour
KSR5400	Sitio 2ft Twin LED 110V IP65 Anti Corrosive	650mm x 105mm x 75mm	19W	4000K
KSR5402	Sitio 4ft Single LED 110V IP65 Anti Corrosive	1180mm x 85mm x 80mm	19W	4000K
KSR5403	Sitio 5ft Single LED 110V IP65 Anti Corrosive	1485mm x 85mm x 80mm	24W	4000K
KSR5404	Sitio 5ft Twin LED 110V IP65 Anti Corrosive	1485mm x 105 mm x 80mm	50W	4000K
KSR5405	Sitio 2ft Twin LED 110V IP65 Anti Corrosive c/w 1M Cable & JB	650mm x 105mm x 75mm	19W	4000K
KSR5406	Sitio 5ft Twin LED 110V IP65 Anti Corrosive c/w 1M Cable & JB	1485mm x 105mm x 80mm	50W	4000K

KSR5407 - Dimensions



KSR5408 - Dimensions



Ensure Frame legs are
650mm apart and on
even and stable ground.

KSR Lighting is constantly developing and improving its products. For this reason, all product descriptions in this data sheet are intended as a general guide, and KSR may change specifications from time to time in the interest of product development, without prior notification or public announcement. All descriptions in this data sheet present only general particulars of the goods to which they refer and shall not form part of any contract. Data in this guide has been obtained in controlled experimental conditions. However, KSR Lighting cannot accept any liability arising from the reliance on such data to the extent permitted.