

# Sitio 110V LED Plug & Socket Globe Light

*Site Light Series by KSR*



Data Sheet

## Product Information

The new **Site Light Series** by KSR is **110V** specialised site Lighting which are ideal for domestic, commercial or industrial site lighting applications. Designed to work with **110V** transformers, these **Globe Lights** featuring **360°** light distribution are the go-to, for a fast and simple solution for open area site lighting, very easy to deploy, they can be used **free standing, suspended** using the built-in hook or mounted on the optional height **adjustable 620mm-1465mm tripod** (KSR5416 ordered separately). Supplied with 3M lead and plug as well as a 110V auxiliary socket. Also available is a 3-hour Emergency version.

Option to suspend using the hook.



## Product Features

- 2-year warranty
- 110V Supply Only
- Class I
- IP44
- IK08
- 3245 Lumens
- 30W LED
- 6500K
- CRI: >Ra80
- Supplied with 16A 2P+E IP44 Plug & 3M lead
- On / Off Battery Isolation Switch (EM Version Only)
- Auxiliary Socket
- 360° beam angle
- Polycarbonate Construction
- Emergency Version Available
- Adjustable height tripod accessory
- L70 – 35,000hrs

# Product Specification

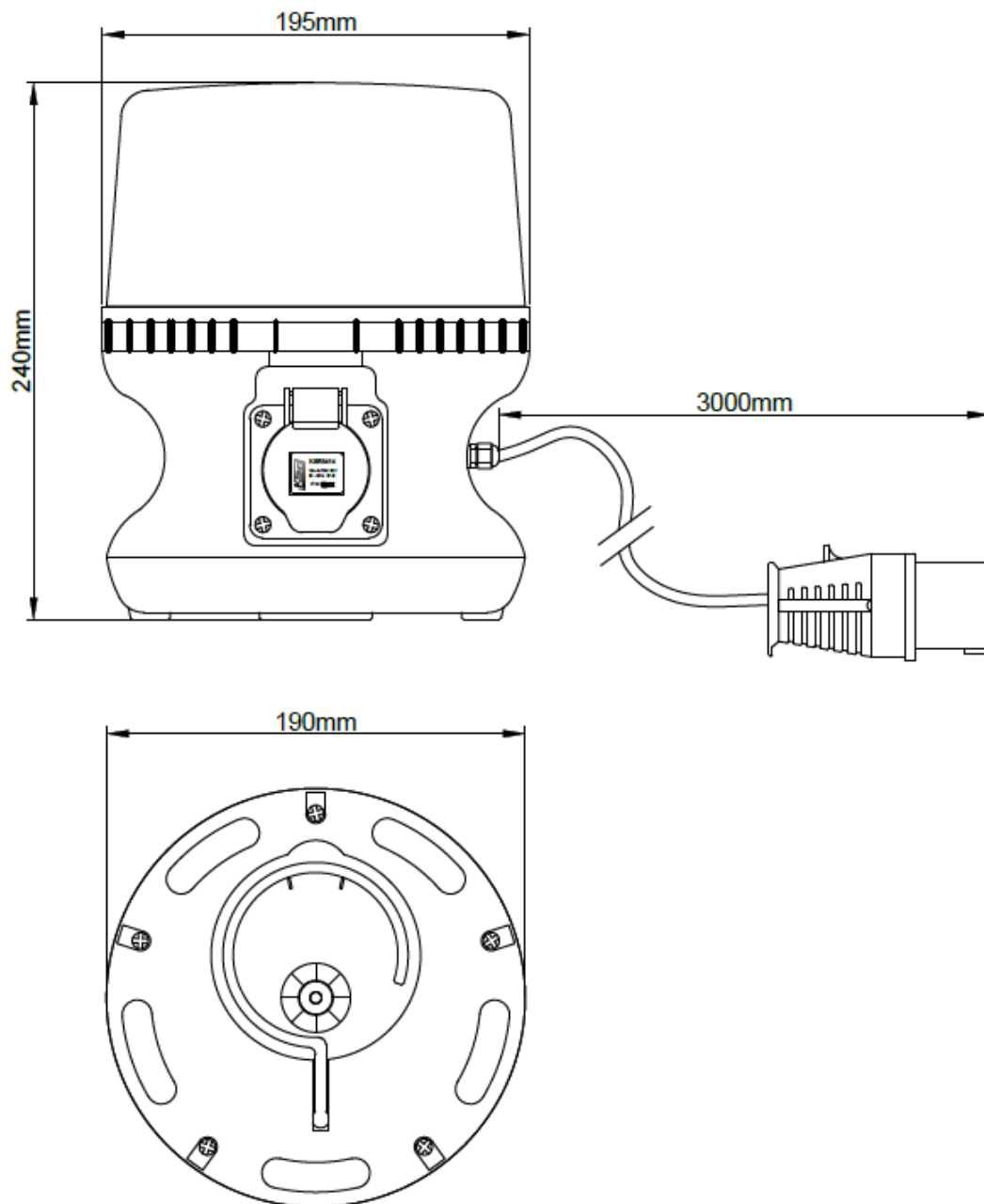
Product Code	Product Description	Wattage (W)	CCT (K)	Lumens (lm)	CRI (Ra)	Protection Class
KSR5414	Sitio 30W 110V LED 6500K Globe Light c/w 3M Cable + Plug & Socket	30W	6500K	3245lm	80	I
KSR5415	Sitio 30W 110V LED 6500K Emergency Globe Light c/w 3M Cable + Plug & Socket	30W	6500K	3245lm	80	I
EM Mode				152lm		
KSR5416	Sitio Adjustable Tripod Base Option for Globe Light					

## Construction

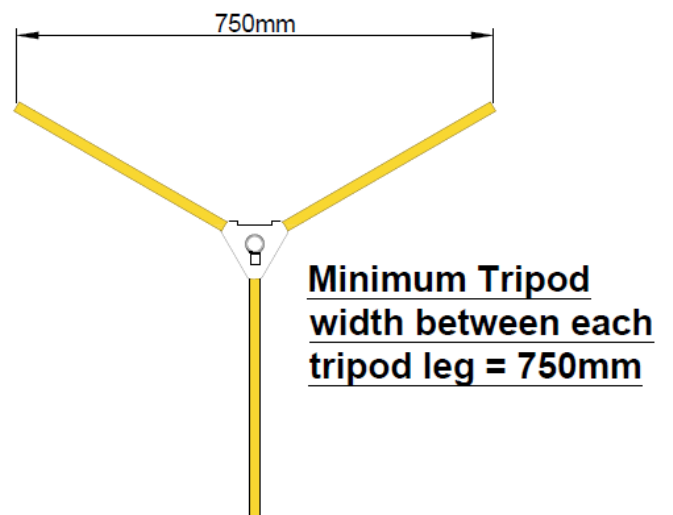
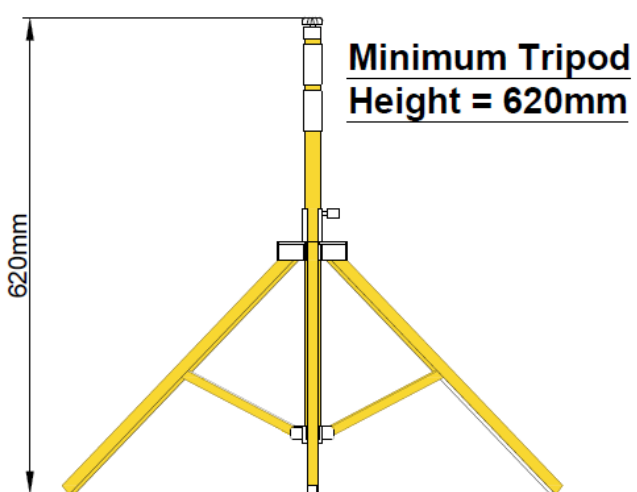
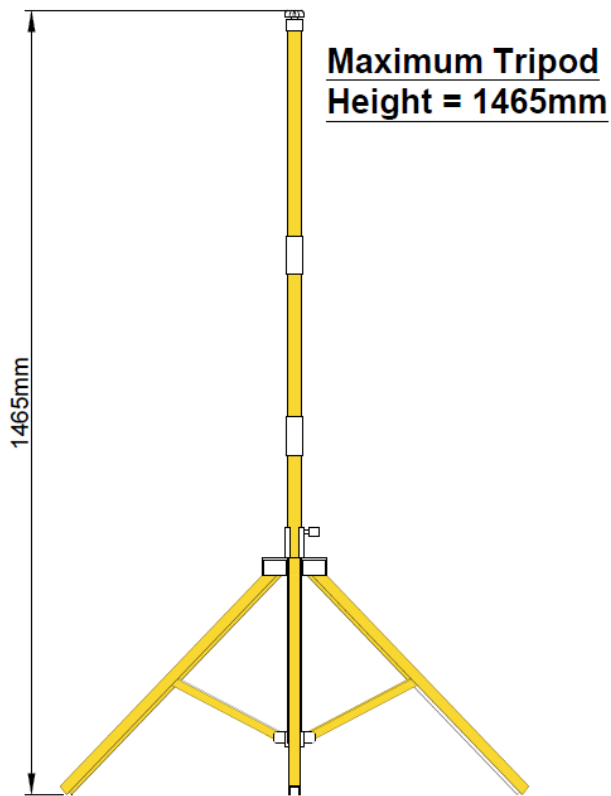
Body: Polycarbonate  
Diffuser: Polycarbonate  
Tripod: Steel

## Product Dimensions

### KSR5414 - KSR5415



## KSR5416 - Dimensions



KSR Lighting is constantly developing and improving its products. For this reason, all product descriptions in this data sheet are intended as a general guide, and KSR may change specifications from time to time in the interest of product development, without prior notification or public announcement. All descriptions in this data sheet present only general particulars of the goods to which they refer and shall not form part of any contract. Data in this guide has been obtained in controlled experimental conditions. However, KSR Lighting cannot accept any liability arising from the reliance on such data to the extent permitted.