

# Sitio 110V LED IP65 Emergency Twin Spot

*Site Light Series by KSR*



Data Sheet

## Product Information

The new **Site Light Series** by KSR is **110V** specialised site Lighting which are ideal for commercial or industrial site applications. Designed to work with **110V** transformers, These **Non-Maintained Emergency IP65 LED Twin Spots** are ideal for various Emergency Applications. Suitable for use in Several **Commercial environments** such as **Warehouses** and **large open spaces** both **internal** and **external**.

## Product Features

- 2-year warranty
- 110V Supply Only
- IP65
- IK08
- Class I
- 6500K
- 4W LED
- Up to 250 Lumens per Head
- CRI: >Ra80
- 110° beam angle
- Non- Maintained Emergency
- L70 – 40,000hrs

## Product Specification

Product Code	Product Description	Wattage (W)	CCT (K)	Lumens (lm)	CRI (Ra)	Protection Class
KSR5425	Sitio 4W 6500K 110V LED IP65 Emergency Twin Spot – Non-Maintained	4W	6500K	250lm per Head EM Mode only	N/A	I

## Emergency Parameters

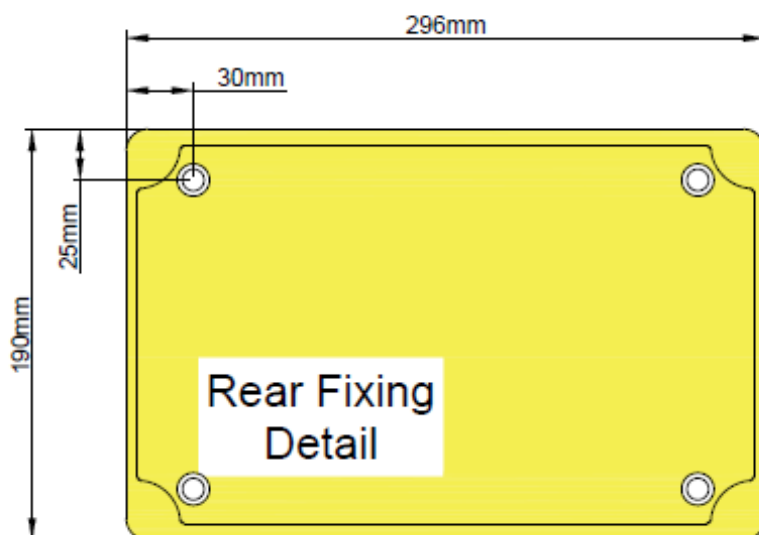
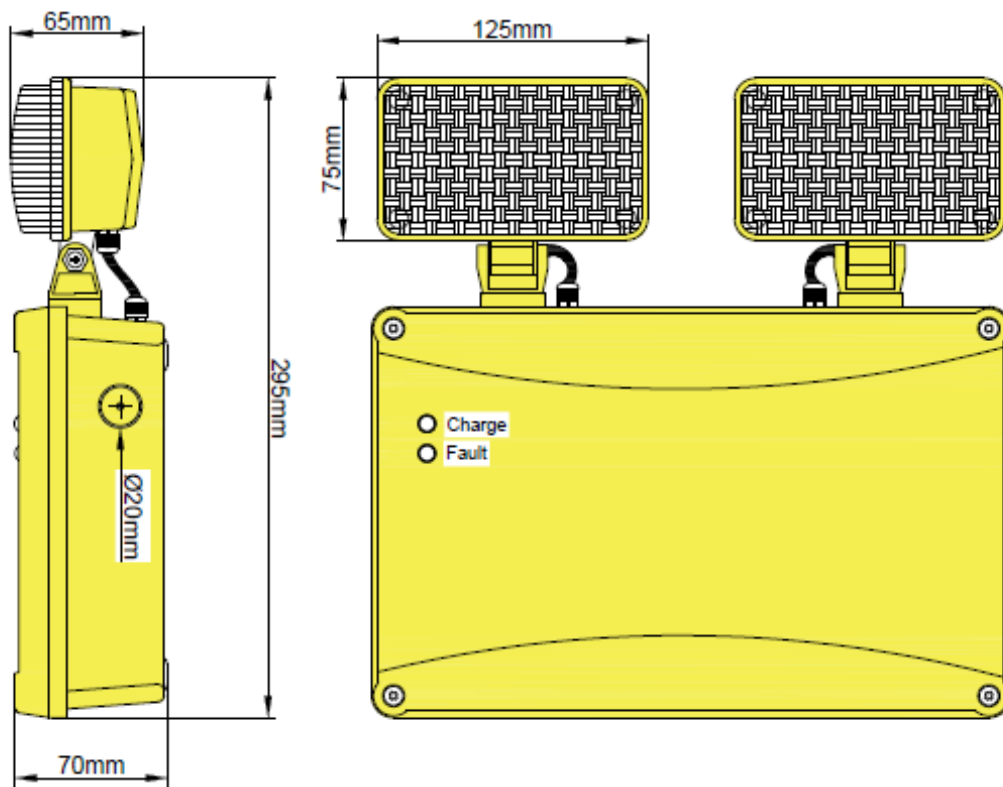
Circuit Wattage	4W
PFC	1.0
Battery Type	3.2v 4.5Ah LiFePO4

## Construction

Body: Polycarbonate  
Diffuser: Polycarbonate

# Product Dimensions

## KSR5425 - Dimensions



KSR Lighting is constantly developing and improving its products. For this reason, all product descriptions in this data sheet are intended as a general guide, and KSR may change specifications from time to time in the interest of product development, without prior notification or public announcement. All descriptions in this data sheet present only general particulars of the goods to which they refer and shall not form part of any contract. Data in this guide has been obtained in controlled experimental conditions. However, KSR Lighting cannot accept any liability arising from the reliance on such data to the extent permitted.