

Sitio 110V LED Handheld Site Light Range

Site Light Series by KSR



Data Sheet

Product Information

The new **Site Light Series** by KSR is **110V** specialised site Lighting which are ideal for domestic, commercial or industrial site lighting applications. Designed to work with **110V** transformers, these **fully adjustable handheld** work lights are available as a **single** stand-alone fitting or mounted on the optional height **adjustable 620mm-1465mm tripod** (KSR5416 ordered separately). **Twin headed** version complete with mounting bracket & **adjustable tripod**, both supplied with 3 metre cable and 16A plugs.

KSR5431



Product Features

- 3-year warranty
- 110V Supply Only
- IP54
- IK08
- Class I
- 6500K LED
- CRI: >Ra80
- 1680 Lumens per Head
- 2 Versions Available - 15W Single or 2 x 15W Twin headed version with Tripod
- Supplied with 3 Metre Cables & 16A 2P+E IP44 Plugs
- 110° beam angle (per head)
- L70 – 45,000hrs

Product Specification

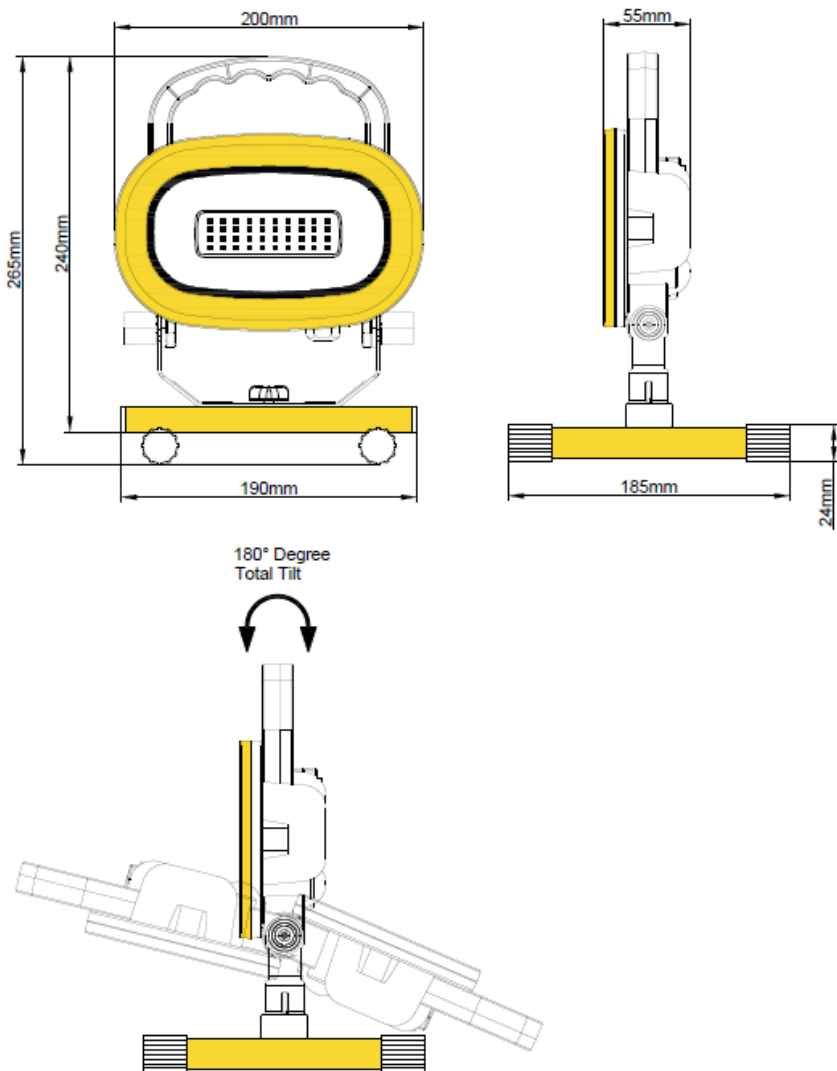
Product Code	Product Description	Wattage (W)	CCT (K)	Lumens (lm)	CRI (Ra)	Protection Class
KSR5430	Sitio 15W 6500K 110V LED Handheld Site Light c/w 3M Cable & Plug	15W	6500K	1680lm	>80	I
KSR5431	Sitio 2 x 15W 6500K 110V LED Handheld Site Light c/w Tripod & 3M Cable + Plug	2 x 15W	6500K	2 x 1680lm	>80	I
KSR5416	Sitio Adjustable Tripod Base Option for Globe/Handheld site Light					

Construction

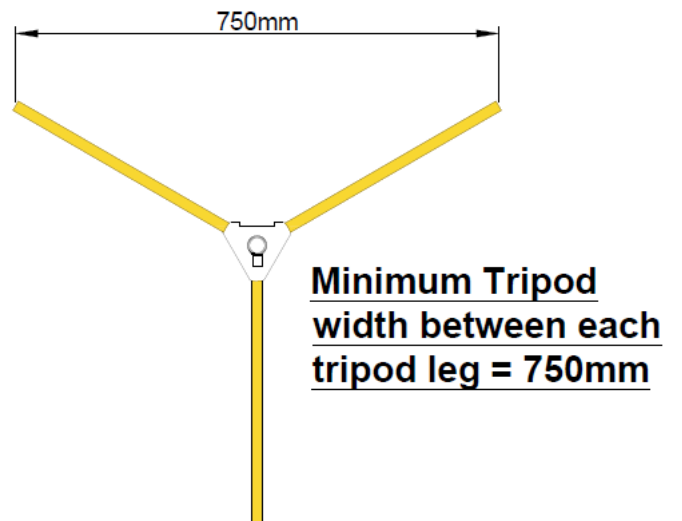
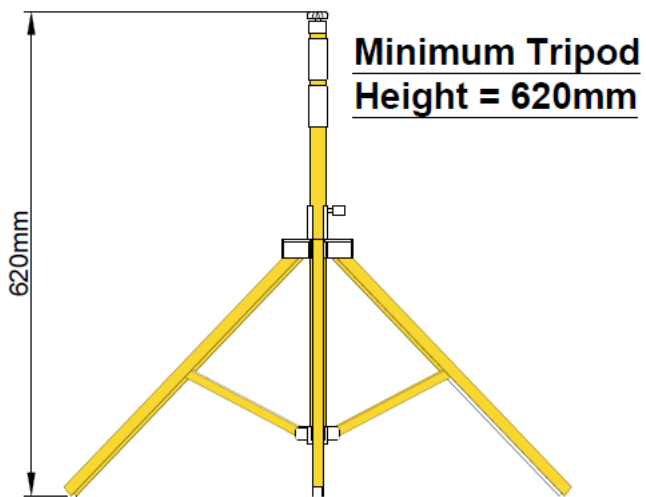
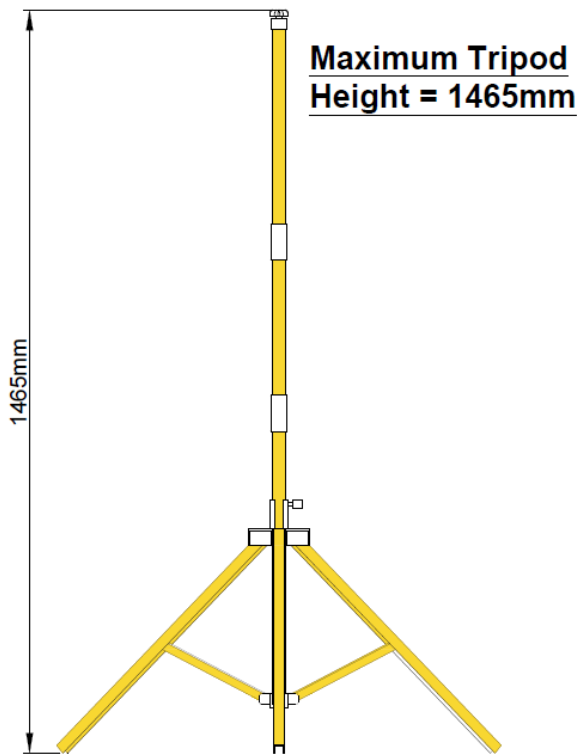
Body: Polycarbonate
 Diffuser: Glass

Product Dimensions

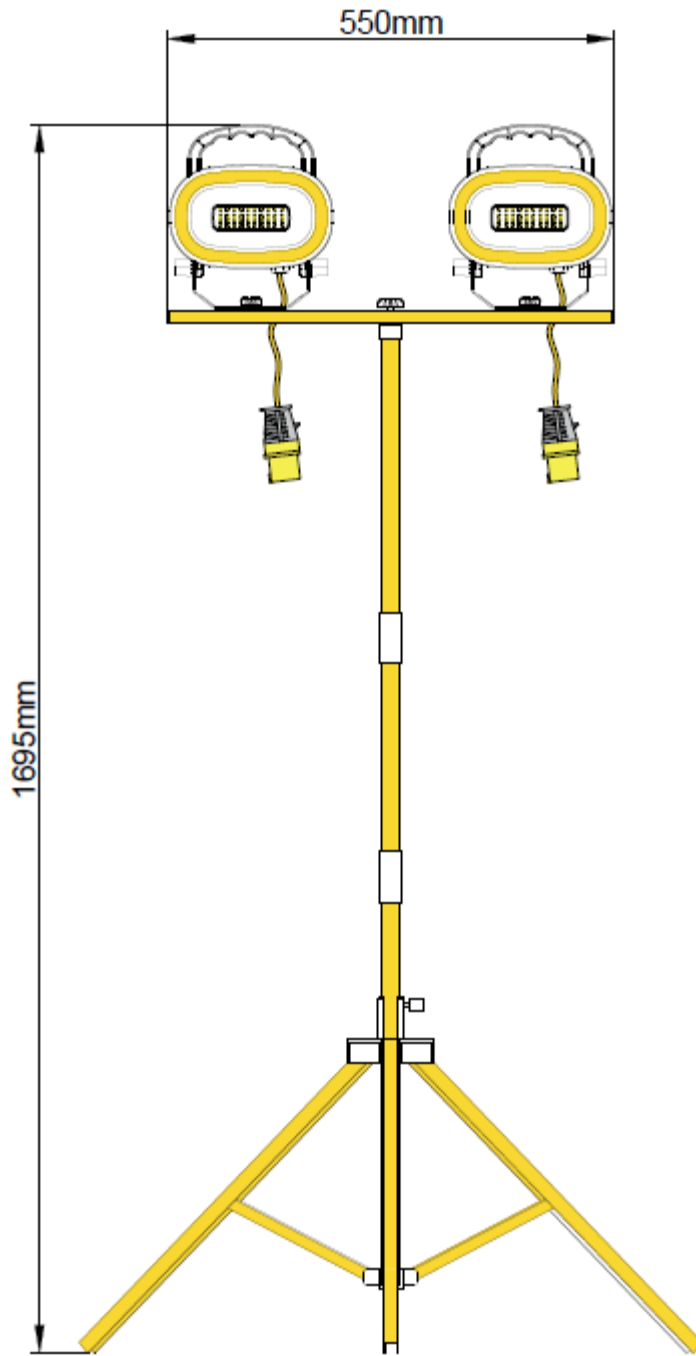
KSR5430 - Dimensions



KSR5416 - Dimensions



KSR5431 - Dimensions



KSR Lighting is constantly developing and improving its products. For this reason, all product descriptions in this data sheet are intended as a general guide, and KSR may change specifications from time to time in the interest of product development, without prior notification or public announcement. All descriptions in this data sheet present only general particulars of the goods to which they refer and shall not form part of any contract. Data in this guide has been obtained in controlled experimental conditions. However, KSR Lighting cannot accept any liability arising from the reliance on such data to the extent permitted.