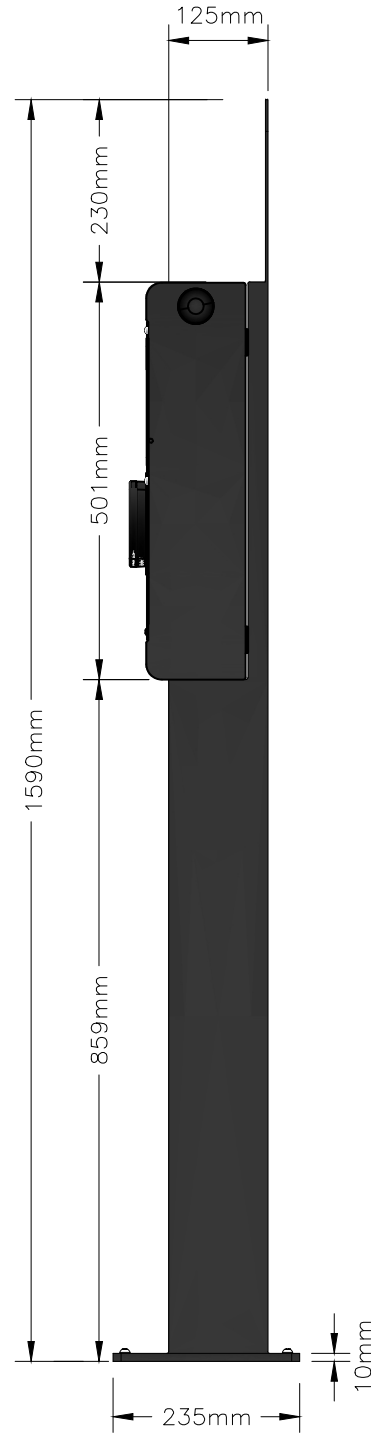
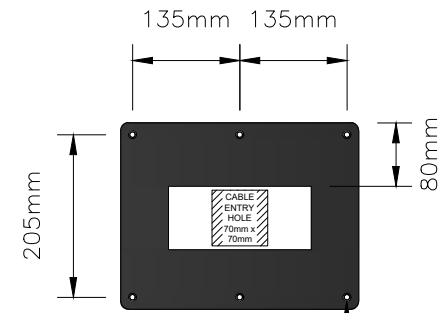
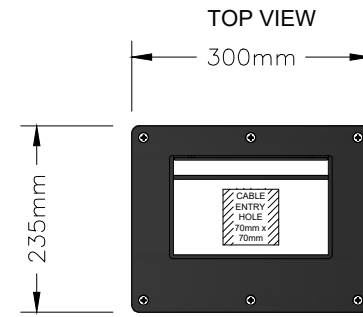


FRONT VIEW



SIDE VIEW



BOTTOM VIEW

6x M10 THRU HOLES

TAP & CHARGE REMOTE CONTACTLESS PAYMENT TERMINAL & PREMIUM MOUNTING PEDESTAL (ROLEC5000 & EVFP0110)

REVISION DETAILS:		REV: DATE:
PROJECT:		
CLIENT:		
TITLE: TAP-CHARGE REMOTE CONTACTLESS PAYMENT TERMINAL & PREMIUM MOUNTING PEDESTAL		
DWG NO: ROLEC5000 & EVFP0110		REVISION:
DRAWN: KT		DATE: 01/08/2025
SCALE: NTS		SIZE: A4
ROLEC		
RALPHS LANE, FRAMPTON WEST, BOSTON, LINDOLNSHIRE, ENGLAND, PE20 1QU		
WWW.ROLECSERV.COM		T: +44 (0)1205 724754