

OMNISOLAR

Serious About Solar



Energy Saver



PIR Motion Sensor



Warranty

Antila

Solar Wall Light

A great addition for contemporary spaces

Using 1000-lumens and a PIR motion sensor for added security the Antila ensures reliable lighting even through winter. Easy and safe to install being completely mains cable-free, Antila combines modern style, performance and sustainability with zero running costs.



Heated Battery



Weather Proof



Works in Winter



Solar



Eco Friendly

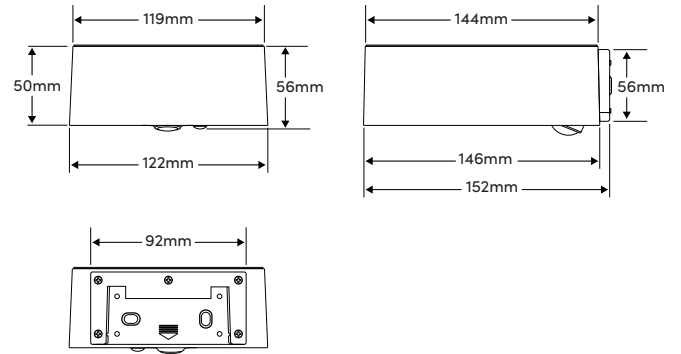


Osram LEDs

Benefits

- Works in Winter
- Ultra-Large Lens
- Dawn to Dusk Function
- No Cables Needed
- Easy and Safe to Install
- PIR Sensor For Enhanced Security
- Versatile Installation
- Auto Power Saving Mode

Dimensions



Specifications

Light Brightness 1000 Lumens Total

Solar Panel Power Monocrystalline, 4.4V/2W

Li-ion battery

Capacity 3.7V 7.4WH

Charging/Discharging Temp -20°C~ +60°C

Charging Time 4.5H

LED (OSRAM) 2835, 20pcs

Colour Temp 4000K Ra70

Efficiency 160Lm/W

Performance

Lighting for Rainy Days 7 days

Lighting Mode M1: 20% til dawn, M2: 10%+PIR (30S) til dawn
M3: 0+PIR (30S) til dawn, M4: 100% til dawn

Indicator Light M1: Flashes Once M2: Flashes 2 Times
M3: Flashes 3 Times M4: Flashes 4 Times

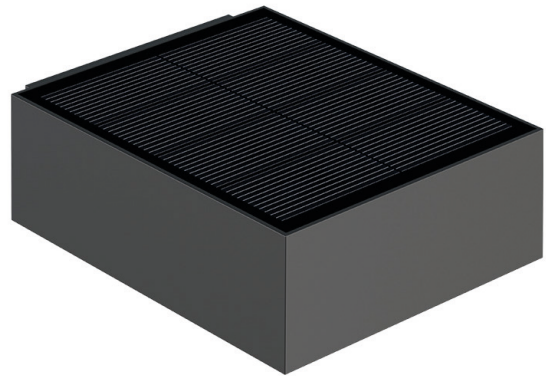
PIR 120°, 5m Max

Core Technology ALS2.4

Material ABS

IP 65

Monocrystalline Solar Panel



Control Mode

1. On and off: long press for 1.5 seconds
2. Short press to change the lighting mode
3. Long press for 6 seconds to reset
4. In any mode, two short clicks of the button will adjust the brightness by 10%